



trivum PowerAmp P319

Article-Number: 100019 EAN: 4260393850521

Other than conventional stereo amplifiers, the trivum PowerAmp is meant to supply four rooms at the same time with music.

It's high-power output drives even demanding loudspeakers with adequate power. On top of that, the amplifier is equipped with numerous protective circuits against malfunction. The amplifier works with most common loads.

Generous cooling elements provide for stable temperature conditions. The P319 passive cooling design operates noise free and makes it suitable for fixed installations that must work reliably for years.

The amplifier is connected with the controller via shielded Cat-5 S/UTP cable. Audio signals are provided by the PowerAmp card inside the C4 controller. This card is designed to work with the PowerAmp. Two such cards supply the signals for four independent zones in one PowerAmp.

External balanced or unbalanced sources can also feed the PowerAmp through the Adapter cable. Each of the four built in stereo amplifiers can be switched on independently by a trigger signal.



trivum Controller C4

The PowerAmp P319 was especially developed for the use with the trivum C4 Controller.



PowerAmpConnect

The PowerAmp P319 is connected via Cat-5 S/UTP cables to the Controller C4. The symmetrical signaling avoids negative interferences. In addition, the trigger voltage for the power amplifiers is transmitted too.



Low-noise

Due to the linear amplifier with analogue technology the amplifier is extremely low-noise. Because of the built-in, oversized cooling elements the amplifier always stays thermally uncomplicated.



8x 80 watt

The eight power amplifiers perform 80 watt each – enough for even demanding loudspeakers.



Volume Adjust

The gain can be adjusted via separate controllers, thus enabling an optimal adjustment to the room situation.





Function

Multiroom Audio Amplifier for the trivum C4 controller or trivum SC044 Multiroom Player, with a total power output of 640 watt (8x 80 W) in a fanless 19-inch rack case, for up to four rooms.

Case

Material	steel, aluminum (cover + heatsinks)
Color	brushed, black anodized, black painted
Dimensions	482 mm x 275 mm x 94 mm 19-inch case, 2U high
Total weight	9500 g
Mounting	in a 19-inch rack

Amplifier

Typ	Class AB
Music power (total)	640 W @ 4 Ω
Music power (per channel)	80 W @ 4 Ω (x8)
Impedance	4-8 Ω
Operating temperature	-20...+50 °C

Connections

Line-In (analog) RJ-45 (stereo x4)
for connecting 2 PowerAmpConnect Plug-In cards or external audio devices (adapter necessary)

Connection	balanced
Input sensibility	1.2 - 4.8 V
Input impedance	10 k
Speaker	4-pin terminal block (x4)

Power supply

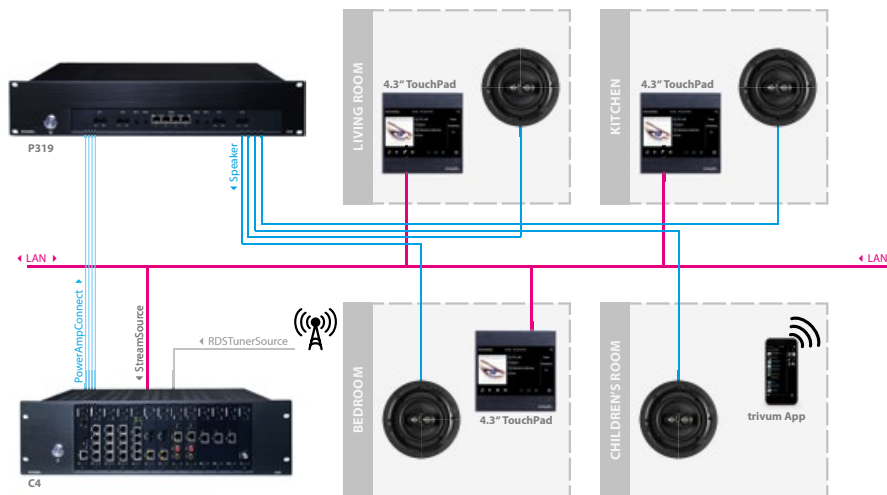
Input voltage	220 V AC
Input current	11 A
Max. power consumption	640 W
Power supply	built-in
Connector	IEC 60320 power connector

Controls

via 2 PowerAmpConnect Plug-In cards in a trivum C4 Controller

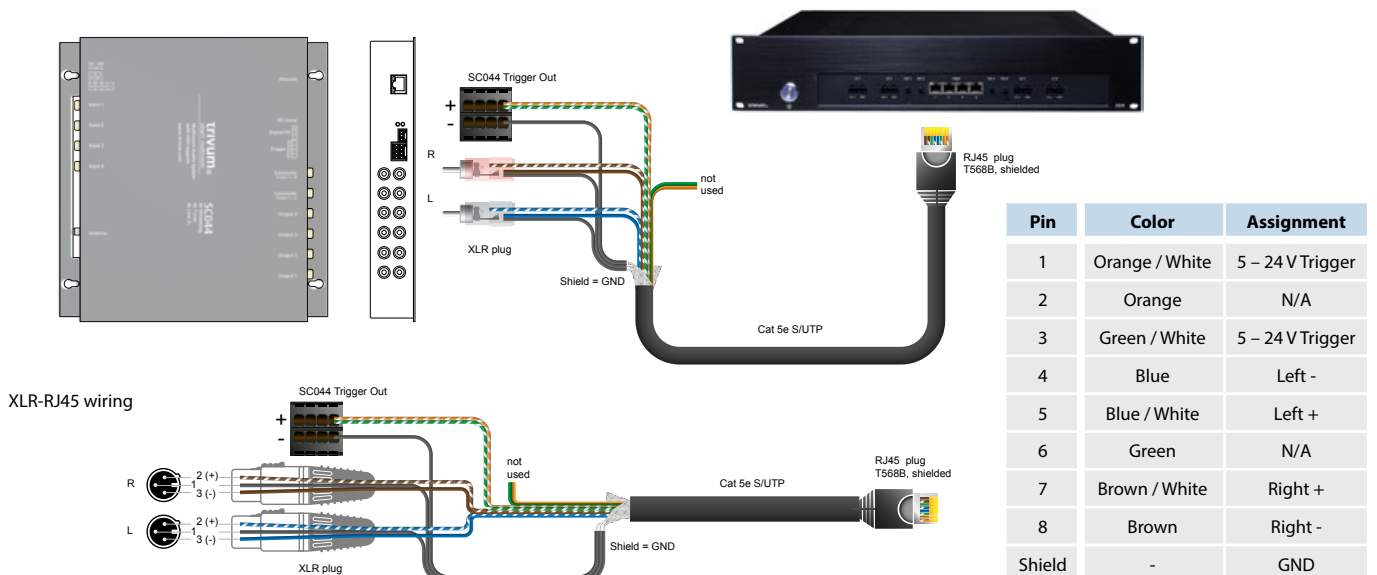
Connection example 1

4-Zone trivum Multiroom System with a C4 Controller and a P319 amplifier



Connection example 2

trivum P319 amplifier with connected trivum SC044 Multiroom Player



XLR-RJ45 wiring

